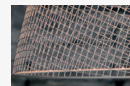


**CATEGORY:**

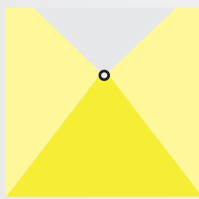
Indoor, U

**DIMENSIONS:**

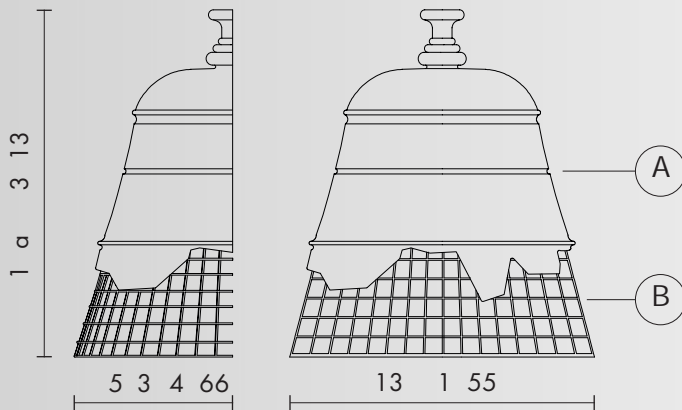
ø35cm(13,77") x h.39cm(15,35") x d.17,5 (6,9")

**RPSARSPC**material  
colourplaster  
matt white**RPSARSPC**material  
colourwire netting  
white**ELECTRICAL SYSTEM**socket  
source  
energy classE26  
max 1x18w LED  
from E to A++**PACKAGING**nr.of collis 1  
net weight/kg 3,2  
gross weight/kg 4,1  
packaging/cm 43x44x29**EMISSION OF LIGHT**

unidirectional



bulb not provided



WE WELCOME ALL CUSTOM ORDERS!

IES files upon Request

g@gordonbullard.com  
www. .com  
269-569-6700991 South Gull Lake Dr  
Richland, MI 49083, USA  
1 877-964-4646